

Ref: 40.025

**Features:**

- Overload protection: short circuit
- Overload protection: over temperature
- Overload protection: over voltage
- THD<10%
- Degree of protection: IP67
- Suitable for landscape lighting
- Surge immunity: DM 6KV, CM 10KV



Electrical characteristics	Power (W)	320W
	Voltage (V)	24V
	Output current range (A)	0~13.40A
	Typical efficiency	93%
	Typical PF	0.97
	Typical THD	10%
Input specifications	Input voltage min. / typ /max.	176Vac/ 200-240Vac / 264Vac
	Input frequency min. / typ /max.	47Hz / 50Hz - 60Hz / 63Hz
	Leakage current max.	0.70mA (240Vac / 60Hz)
	Input AC current	2.2A (200-240Vac, full load)
	Inrush current max.	5.5 A <sup>2</sup> S (cold start, 10% peak, 230Vac, full load)
	Power factor min. / typ.	0.95 / 0.96
	THD typ. / max.	10% / 15% (230Vac, 80%~100% load) 15% / 20% (230Vac, 50%~80% load)
Output specifications	Output current tolerance min. / max.	-2% / 2% (full load)
	Output ripple voltage min. / max.	-2% / 2% (full load, measured by 20 MHz bandwidth oscilloscope and the output paralleled a 0.1uF ceramic capacitor and a 47uF electrolytic capacitor.)
	Output overshoot min. / max.	-5% / +5% (when the power is on)
	Line regulation min. / max.	-0.5% / +0.5% (25°C±10°C ambient temperature, input voltage changes from 200Vac to 240Vac.)
	Load regulation min. / max.	-1.5% / +1.5% (25°C±10°C ambient temperature, 230Vac input, load changes from 50% to 100%.)
	Turn-on delay tome	1s (230Vac,100% load)
General specifications	Efficiency 230Vac min. / typ.	91.5% / 93% (50%~100% load)
	Grounding Resistance	0.1Ω (25A / 60S)
	Insulation Resistance	10MΩ (input-output, input-PE, output-PE, 500Vdc / 60S / 25% / 70% RH)
	MTBF	200Khrs (230Vac, 80% load)
	Life time	50000 hours
	Operating case temperature for safety tc_s min. / max.	-40°C / +90°C
	Operating case temperature for warranty tc_w min. / max.	-40°C / +75°C
	Storage temperature min. / max.	-40°C / +90°C
	Degree of protection	IP67
Other	Dimensions	224.5x96.9x41.8mm
	Weight	1700±100g / PCS
	Guarantee	5 years



Measurements:

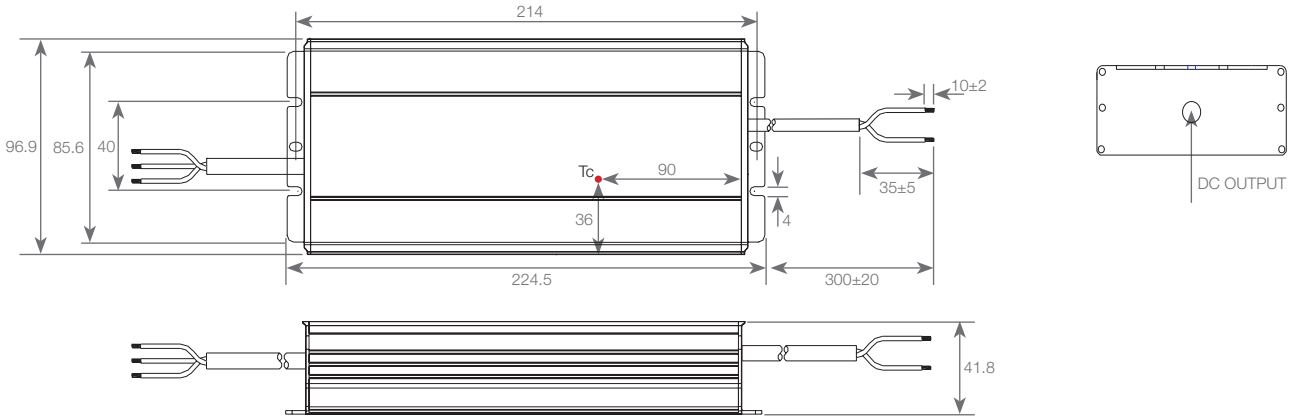
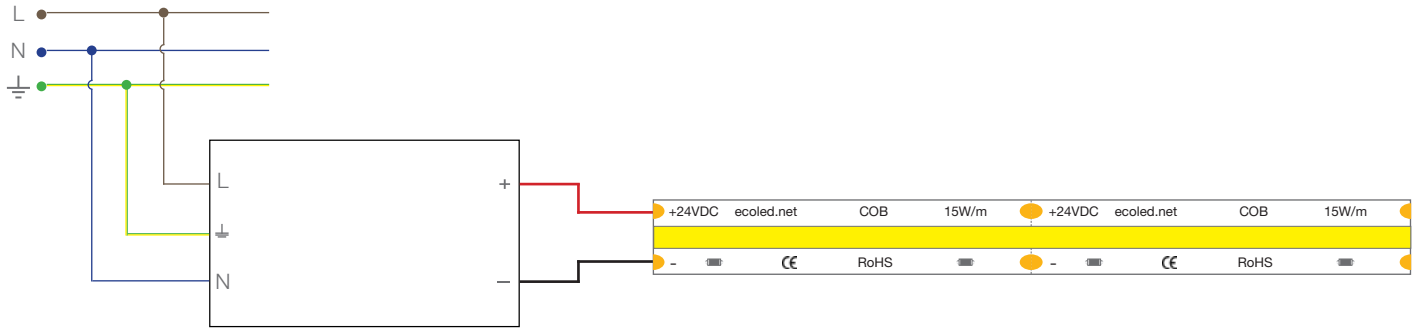
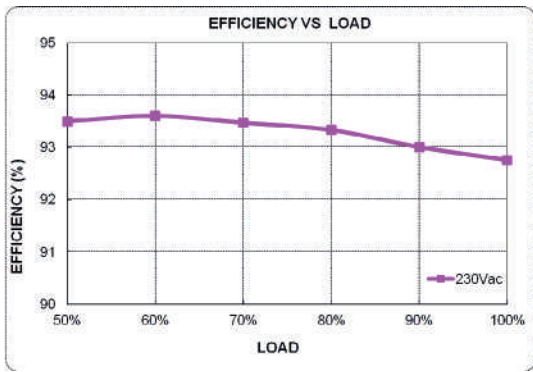


Diagram:

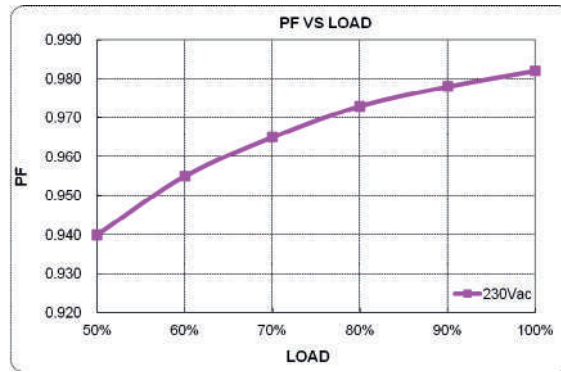


Type performance graphs

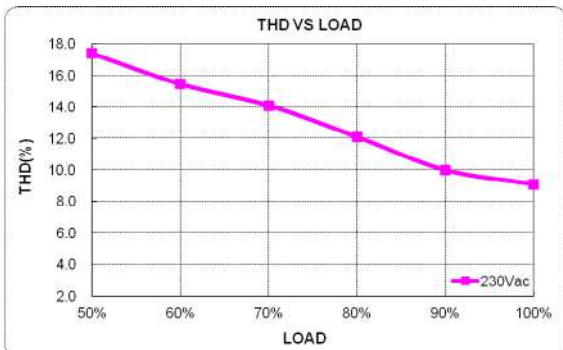
Efficiency uv Load



Power factor uv Load



Total harmonic distortion



## Assembly and safety information

### Applied standards CE:

- EN 61347-1
- EN 61347-2-13
- EN 62493
- EN 55015
- EN 61000-3-2
- EN 61000-3-3
- EN 61000-4-2
- EN 61000-4-3
- EN 61000-4-4
- EN 61000-4-5
- EN 61000-4-6
- EN 61000-4-11

### Applied standards CCC:

- GB 19510.1
- GB 19510.14
- GB 17743
- GB 17625.1

### Applied standards CB:

- IEC 61347-1
- IEC 61347-2-13

### Applied standards UL:

- UL 8750

### Over temperature protection

Decreases output current. Returns to normal after over temperature is removed.

### Short circuit protection

Hiccup mode. The output returns to normal when the fault condition is removed.

### Over current protection

Hiccup mode. The output returns to normal when the fault condition is removed.

### Over voltage protection

Turn off the output voltage, when the fault is removed, restart and resume.